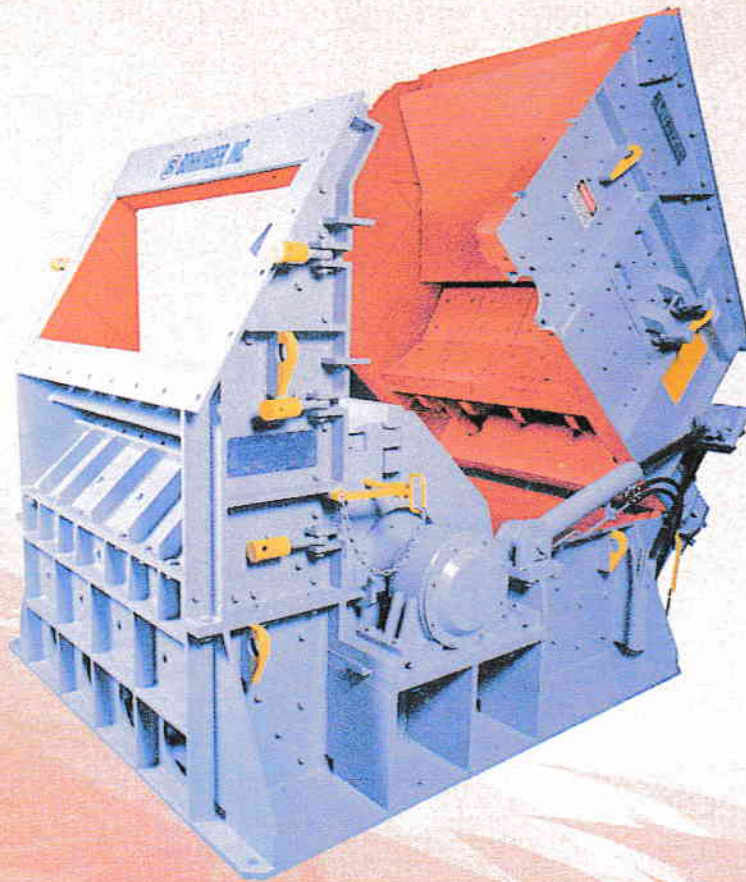




BOHRINGER IMPACT CRUSHERS

SECONDARY SERIES "HS"

For Aggregates, Gravel and Hard Rock



- Excellent Rotor Warranty
- Bar & Cap System Available
- Made in America
- Stock Delivery on Selected Models
- The **ONLY** Original **BOHRINGER** Impactor
- Since 1945

- Selective crushing
- Cubical, crack free, uniform product
- High performance, high capacity
- High reduction ratio
- Low per ton operating cost
- Long wear life due to special alloy castings



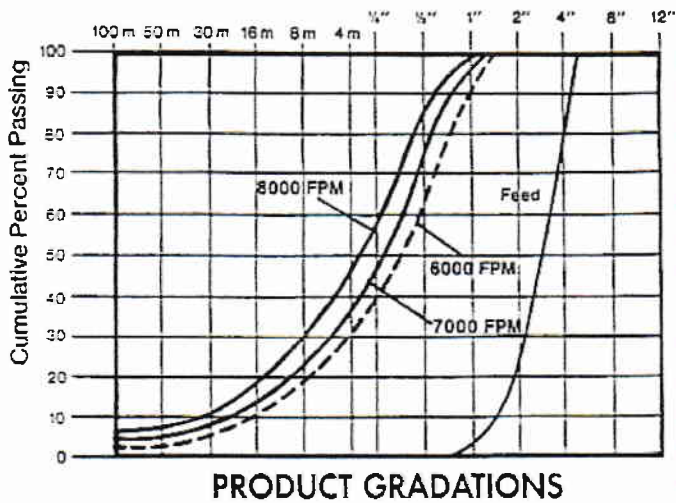
BOHRINGER, INC.

15 Park Circle, Suite 102 • Centerport, New York 11721

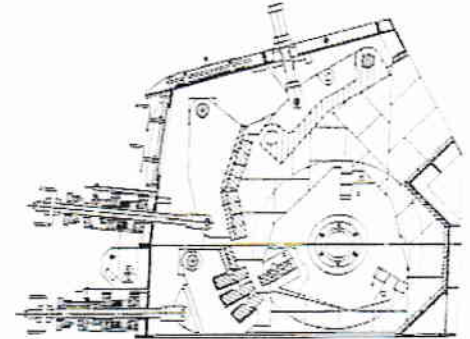
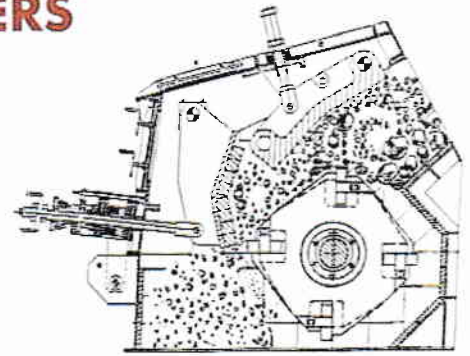
Tel: (516) 262-7211 • Fax: (516) 262-7214 • E-mail: Bohringer1@aol.com



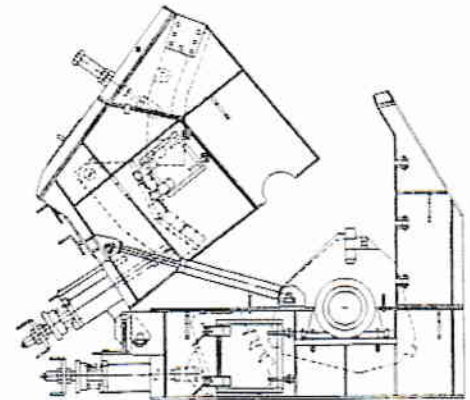
BOHRINGER IMPACT CRUSHERS SECONDARY SERIES "HS"



The Impact Crusher series "HS" are a heavy duty, horizontal shaft, fixed blow bar impactor, especially developed for crushing of hard and highly abrasive rocks. They are employed for secondary crushing with feed sizes from 6" to 12" and capacities from 10 to 800 TPH.



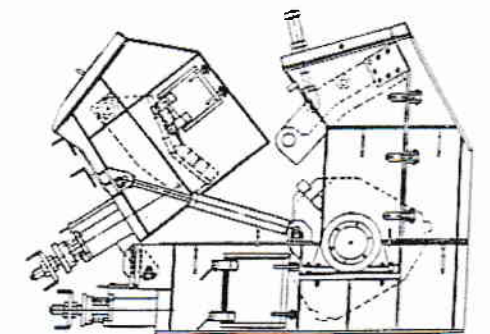
- The innovative design features, use of high wear resistant castings and utilization factor of the wear parts make this horizontal shaft, fixed blow bar impactor superior to any crusher of this type available today. Depending on the specific application the machine can be equipped with different interior parts.
- The housings contain 2 or 3 stage aprons for maximum reduction ratios. Depending on the application, the aprons are one-piece casting or fabricated with bolt-on Impact plates. Aprons with automatic hydraulic/accumulator systems are available.
- Both aprons are gravity hung for tramp iron release, hydraulically adjustable towards the blow bars, to maintain a constant gap and thus assure a uniform product size.
- Third impact apron available to achieve lower percentage of oversize and more cubical product.
- The rotors are steel disc welded design (open or closed top) with 2, 3, 4, or 6 rows of blow bars, they provide high WR2 for selective ratio of reduction crushing. Capacities range from 10 to 800 tons per hour.
- New style threaded blow bar locking rod for easier replacement of bars. New style blow bar locking plate for easier maintenance.



"We make it easy to get into"

MODEL	ROTOR DIA. (INCH) WIDTH	FEED OPENING (INCH)	CAPACITY (STPH)	POWER REQUIRED (HP)	WEIGHT APPROX. (LBS)
HS 21	49 1/2 x 83 1/8	85 x 28	350 - 800	400 - 700	62,400
HS 18	49 1/2 x 69 5/16	70 x 26	300 - 400	300 - 500	52,500
HS 16	49 1/2 x 63	63 x 22	275 - 350	250 - 400	55,900
HS 14	49 1/2 x 55 13/16	57 x 26	175 - 300	200 - 350	39,500
HS 10	49 1/2 x 41 3/8	42 x 19	100 - 175	125 - 200	32,300
HS 7	39 3/8 x 27 9/16	28 x 14	60 - 110	75 - 125	18,300
HS 5	31 1/2 x 20 7/8	22 x 12	30 - 60	50 - 75	8,500

Design specifications subject to change without notice. Technical data are approximates and should be used as a guide only. Capacity and power requirements depend on the type and characteristics of the feed material.



- Hinged crusher housing with hydraulic opening providing ease of maintenance. Dual split opening allows easy access to front or rear apron.

We offer consulting, application engineering of individual machinery and complete plants, such as:

- Stationary processing plant
- Portable plant
- Modular skid mounted plant