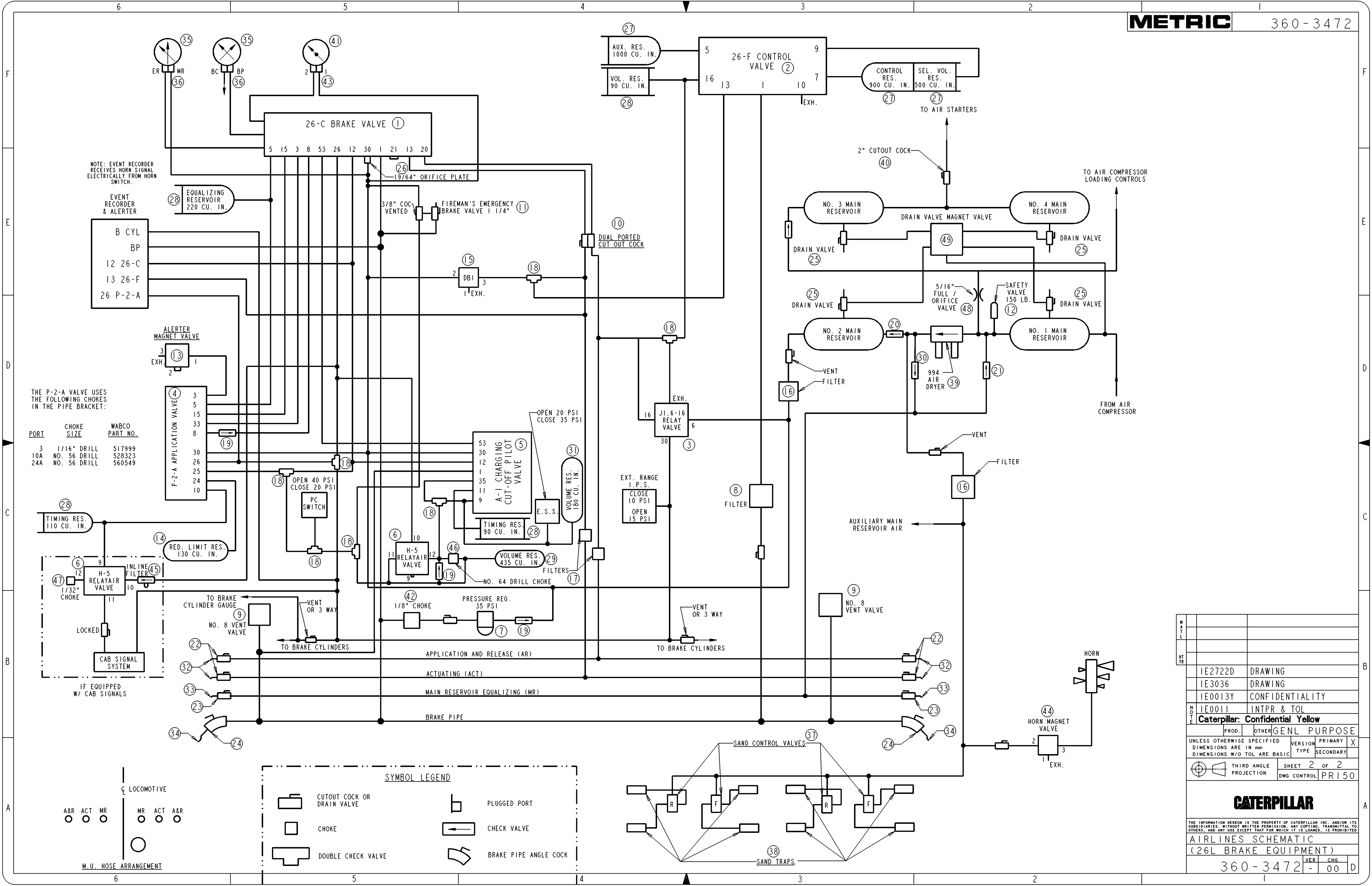


49	DRAIN VALVE MAGNET VALVE
48	5/16" FULL/ORIFICE VALVE
47	1/32" CHOKE
46	#64 CHOKE
45	INLINE FILTER-SEPERATOR
44	HORN MAGNET VALVE
43	MOUNT ASSEMBLY (SIDE OR DOWN INLET)
42	CHOKE, 3/8" NPT, 1/8"
41	INDICATOR, AIR FLOW
40	CUTOUT COCK 2"
39	AIR DRYER, REGENERATIVE
38	SAND TRAP WITH ROTARY SHUT-OFF
37	SANDER CONTROL VALVE
36	MOUNT ASSEMBLY (SIDE OR DOWN INLET)
35	DUPLEX AIR GAUGE 4 1/2" LEXAN LENS
34	BRAKE PIPE HOSE
33	MAIN RES, EQ, M.U. HOSE
32	A. & R. & ACT, M.U. HOSES, HOSE 7 & 8
31	RESERVOIR 180 CU. IN.
30	CHECK VALVE, 1-1/4" W/ 5/16" ORIFICE
29	RESERVOIR 435 CU. IN.
28	RESERVOIR 220/90/90/110 CU. IN.
27	RESERVOIR 900/500/1000 CU. IN.
26	ORIFICE PLATE 19/64"
25	AUTOMATIC DRAIN VALVE
24	ANGLE COCK, 1 1/4"
23	CUTOUT COCK, LOCKING HANDLE, 1" VENT
22	CUTOUT COCK, LOCKING HANDLE 1/2"
21	CHECK VALVE, 1 1/4"
20	FLAT CHECK VALVE 2"
19	ONE WAY CHECK VALVE 3/8"
18	DOUBLE CHECK VALVE 3/8"
17	FILTER, LINE TYPE DL 1/2"
16	FILTER, FINAL
15	MAGNET VALVE, DBI
14	RESERVOIR 130 CU. IN.
13	MAGNET VALVE, ALERTER
12	J-1 SAFETY VALVE, 150 PSI
11	EMERGENCY BRAKE VALVE, 1 1/4"
10	DUAL PORTED CUTOUT COCK
9	NO. 8 VENT VALVE WITH BRANCH PIPE TEE
8	3/4" FINAL FILTER
7	REGULATOR, WATTS
6	H-5 RELAY AIR VALVE, 25 PSI
5	A-1 CHARGING CUT-OFF PILOT VALVE
4	P-2-A BRAKE APPLICATION VALVE
3	J1.6-16 RELAY VALVE
2	26-F CONTROL VALVE
1	26-C BRAKE VALVE & INDEPENDANT BRAKE VALVE (FIXED HANDLES)
NO.	DESCRIPTION

PART INDEX

HT			
NO	IE2722D	DRAWING	
E	IE3036	DRAWING	
	IE0013Y	CONFIDENTIALITY	
	IE0011	INTPR & TOL	
	Caterpillar: Confidential Yellow		
	PROD.	OTHER	GENL PURPOSE
	UNLESS OTHERWISE SPECIFIED	VERSION	PRIMARY
	DIMENSIONS ARE IN mm	TYPE	SECONDARY
	DIMENSIONS W/O TOL ARE BASIC		
	THIRD ANGLE	SHEET 1 of 2	
	PROJECTION	DWG CONTROL	PRI 150
	CATERPILLAR		
	THE INFORMATION HEREON IS THE PROPERTY OF CATERPILLAR INC. AND/OR ITS SUBSIDIARIES. WITHOUT WRITTEN PERMISSION, ANY COPYING, TRANSMITTAL TO OTHERS, AND ANY USE EXCEPT THAT FOR WHICH IT IS LOANED, IS PROHIBITED.		
	AIRLINES SCHEMATIC		
	(26L BRAKE EQUIPMENT)		
	360-3472	VER	CHG
		-	00



NOTE: EVENT RECORDER RECEIVES HORN SIGNAL ELECTRICALLY FROM HORN SWITCH.

EQUALIZING RESERVOIR 220 CU. IN.

B CYL
BP
12 26-C
13 26-F
26 P-2-A

ALERter MAGNET VALVE

THE P-2-A VALVE USES THE FOLLOWING CHOKES IN THE PIPE BRACKET:

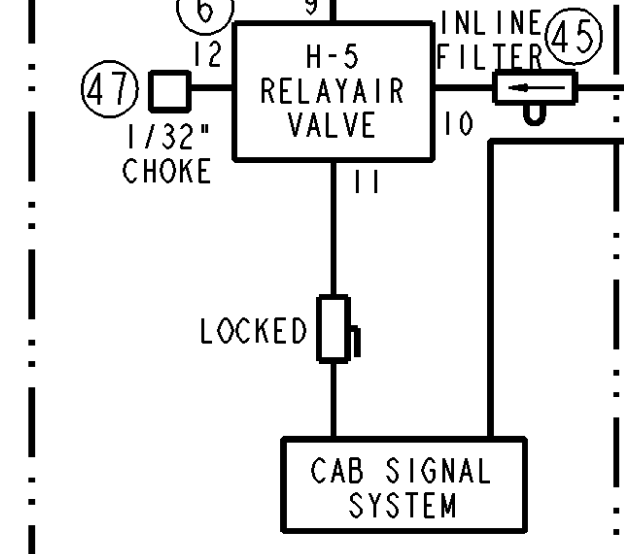
PORT	CHOKE SIZE	WABCO PART NO.
3	1/16" DRILL	517999
10A	NO. 56 DRILL	528323
24A	NO. 56 DRILL	560549

P-2-A APPLICATION VALVE

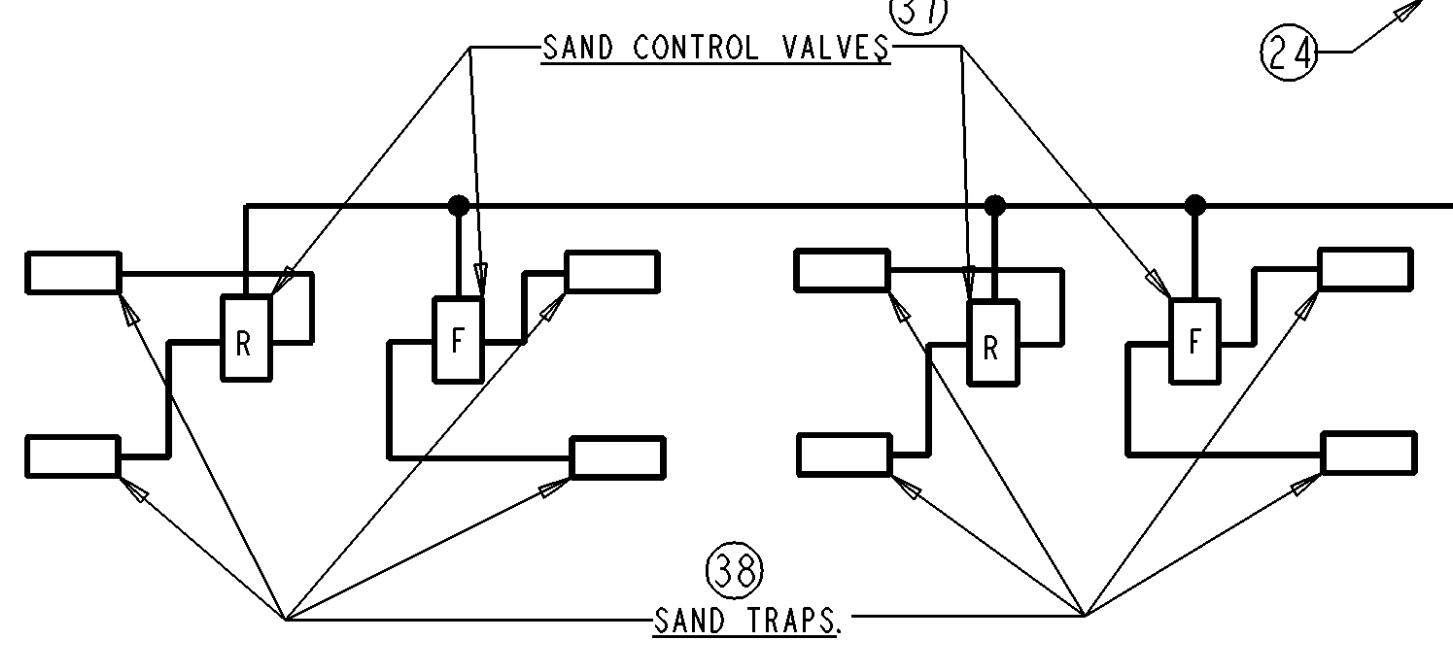
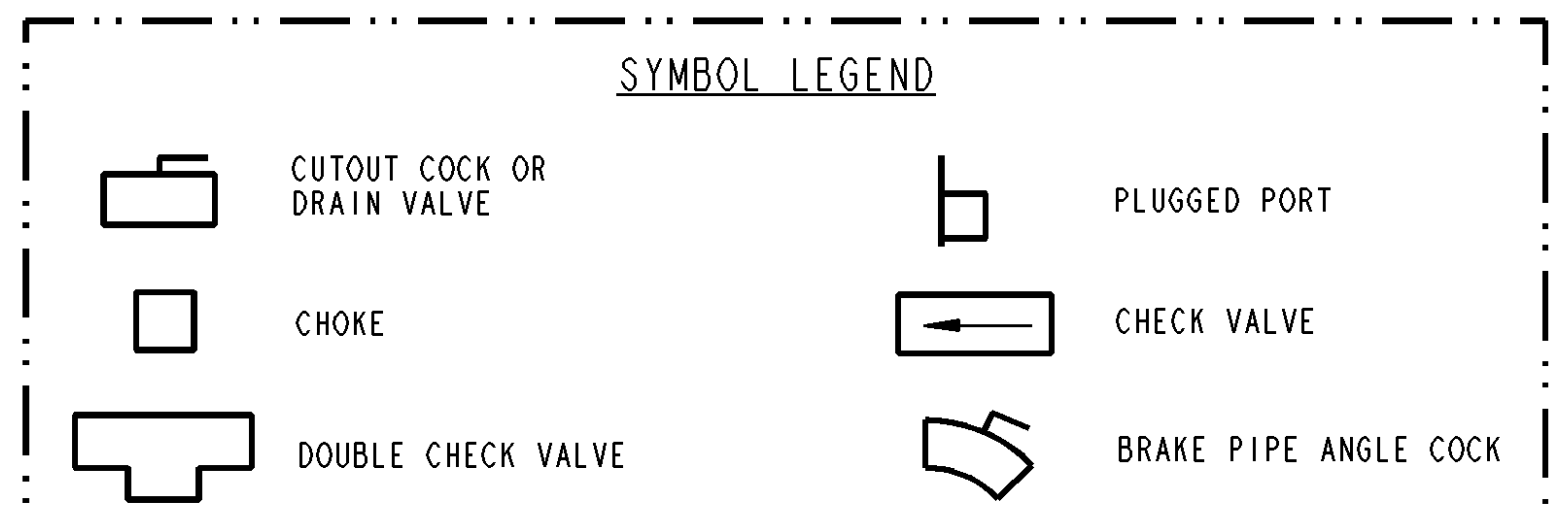
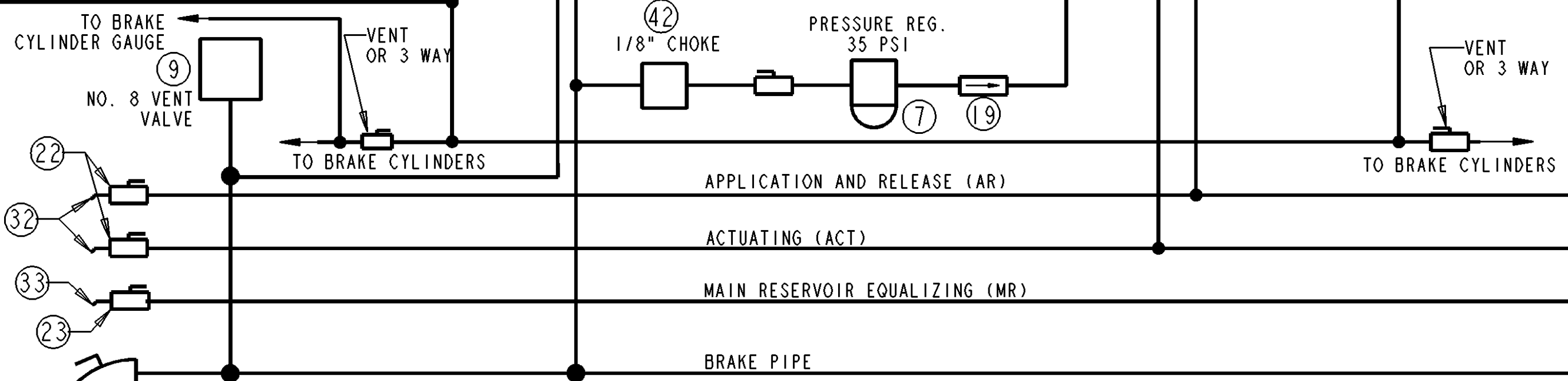
3
5
15
33
8
30
26
25
24
10

TIMING RES. 110 CU. IN.

RED. LIMIT RES. 130 CU. IN.



IF EQUIPPED W/ CAB SIGNALS



HT		
HT		
	IE2722D	DRAWING
	IE3036	DRAWING
	IE0013Y	CONFIDENTIALITY
NO. OF	IE0011	INTPR & TOL
FILE	Caterpillar: Confidential Yellow	
	PROD.	OTHER GENL PURPOSE
	UNLESS OTHERWISE SPECIFIED	VERSION PRIMARY X
	DIMENSIONS ARE IN mm	TYPE SECONDARY
	DIMENSIONS W/O TOL ARE BASIC	
	THIRD ANGLE PROJECTION	SHEET 2 of 2
		DWG CONTROL PRI 150
CATERPILLAR		
THE INFORMATION HEREON IS THE PROPERTY OF CATERPILLAR INC. AND/OR ITS SUBSIDIARIES. WITHOUT WRITTEN PERMISSION, ANY COPYING, TRANSMITTAL TO OTHERS, AND ANY USE EXCEPT THAT FOR WHICH IT IS LOANED, IS PROHIBITED.		
AIRLINES SCHEMATIC (26L BRAKE EQUIPMENT)		
	360-3472	VER - 00
		CHG D