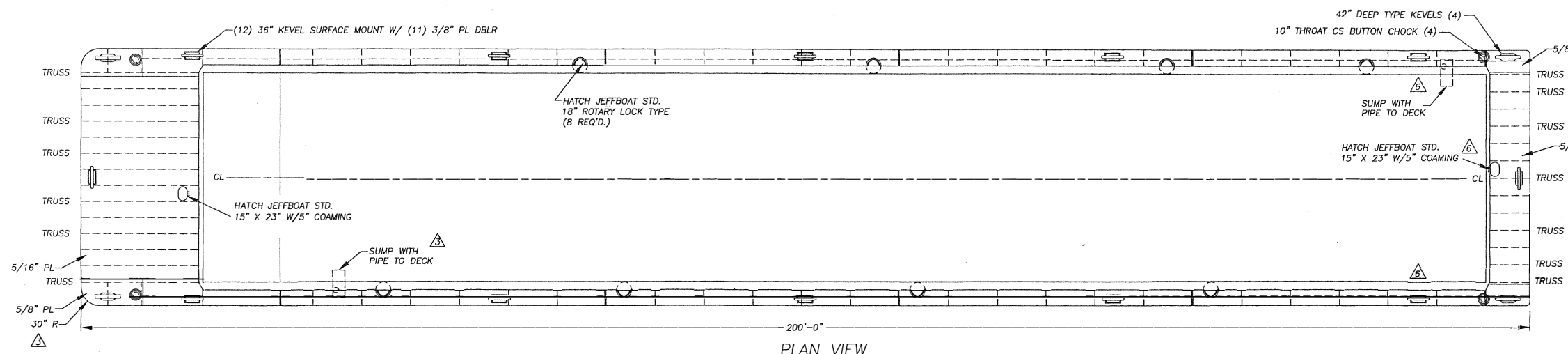


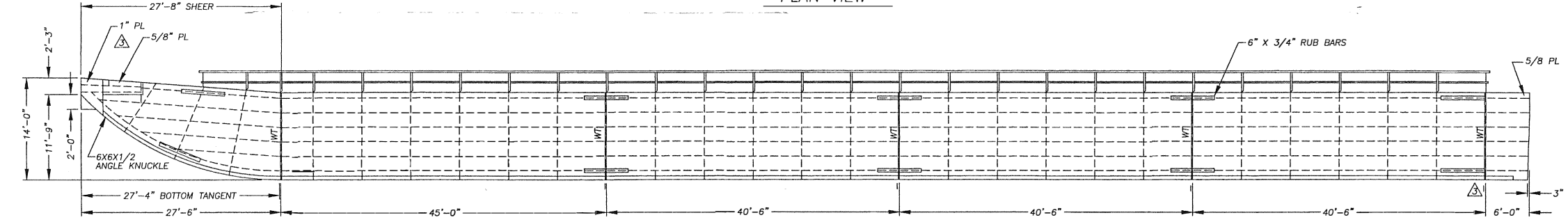
REFERENCE DRAWINGS		
NO.	TITLE	DRAWING NO.
1		

GENERAL NOTES

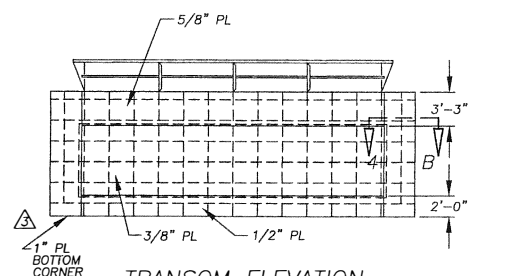
- COATINGS
 - ALL STEEL TO BE WHEELABRATED AND COATED W/ZINC PRIMER, 3/4 MDT.
 - 5-7 MDT EPOXY ON BOTTOM, SIDES, ENDS, DECKS AND COAMING
 - ADD SAND TO DECK FOR NON-SKID SURFACE
 - VOID COAT IN INNERBOTTOM & 2' UP SIDES IN ALL VOIDS AND FULL HEIGHT IN WAY OF HATCHES - 3 TO 4 MDT ROYAL COAT
- THIS HULL ADAPTABLE TO TELESCOPING COVERS W/MODIFICATION TO END COAMINGS.
- HOPPER CAPACITY TO TOP OF COAMING 67,700 CUBIC FEET.
- BARGE WEIGHT (OPEN) 302 TONS.
- PAINT ALL DECK FITTINGS WHITE



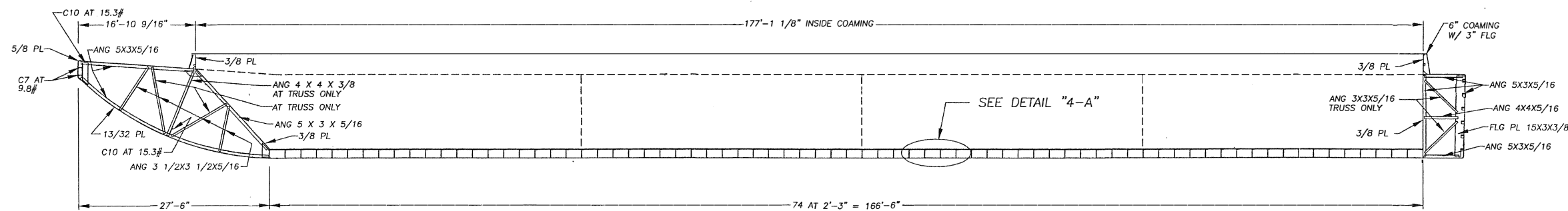
PLAN VIEW



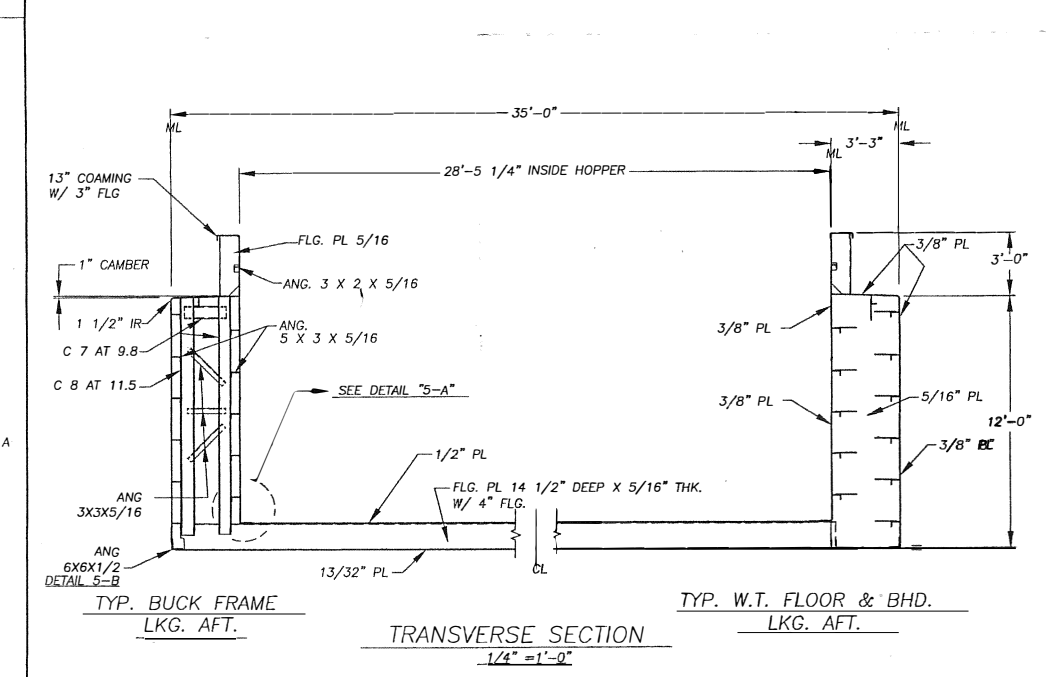
SIDE ELEVATION



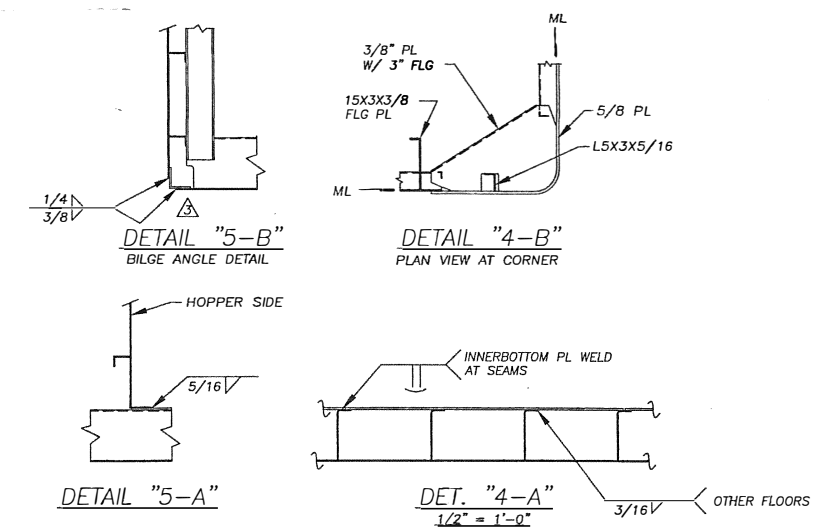
TRANSOM ELEVATION



LONG'L. SECTION



TRANSVERSE SECTION



CARGO TABLE

DRAFT	FRESH WATER TONS CARGO	
	OPEN	STEEL T&R COVERS
8'-0"	1,347	1,302
8'-6"	1,455	1,410
9'-0"	1,562	1,517
9'-6"	1,670	1,625
10'-0"	1,778	1,733
10'-6"	1,887	1,842

TABLE BASED ON HULL WEIGHT OF 302 SHORT TONS
TABLE BASED ON COVER WEIGHT OF 45 SHORT TONS

NO.	REVISIONS	BY	DATE
6	ADD 2 KEVELS & REV STERN HATCH PER CUST	DWW	1/27/04
5	UPDATE FOR 2004 BARGES	DWW	1/21/04
4	REV. FLOOR FRAME WELDS - 2004 BARGES	ERS	12/17/03
3	REVISED PER CUSTOMER	JAL	12/2/01
2	REVISED STERN MANHOLE TO RAISED TYPE	ERS	12/12/00
1	REVISED FLOOR FRAME ENDS AND MANHOLES	ERS	10/31/00